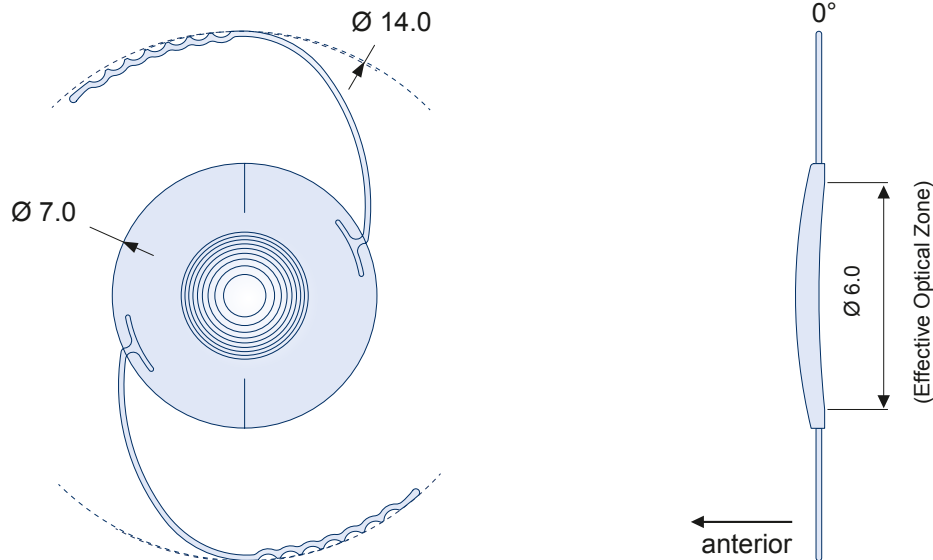


MS 714 TPB Diff



on a scale of 5:1

Technical Information

Type	Toric Multifocal Posterior Chamber Add-On IOL (Three-Piece, Foldable) for Sulcus Fixation in Pseudophakic Eyes
Optic Material	Silicone Elastomer with UV-Absorber
Haptic Material	High Molecular PMMA
Haptic Shape	Modified C-Loop (Undulated)
Optic Shape	Diffractive Anterior Surface, Toric Posterior Surface (≈ Aberration Free)* Convex-concave with Round Anterior Optic Edge to Prevent Iris Irritation
Power	in 0.5 D steps: -3.0 D to 3.0 D
Cylinder Range	in 0.5 D steps: 1.0 D to 4.0 D
	Availability depending on combination of sphere and cylinder. More details on diopter categories see page 2
Near Addition	+ 3.5 D (on IOL plane)
A-Constant (est.)	Not Applicable (by Application Principle)
Cylinder Axis	The Two Thin Diametrically Opposed Lines in the Periphery of the Optic Indicate the Axis of the Plus-Cylinder

Dr. Schmidt Intraocularlinsen GmbH, Germany

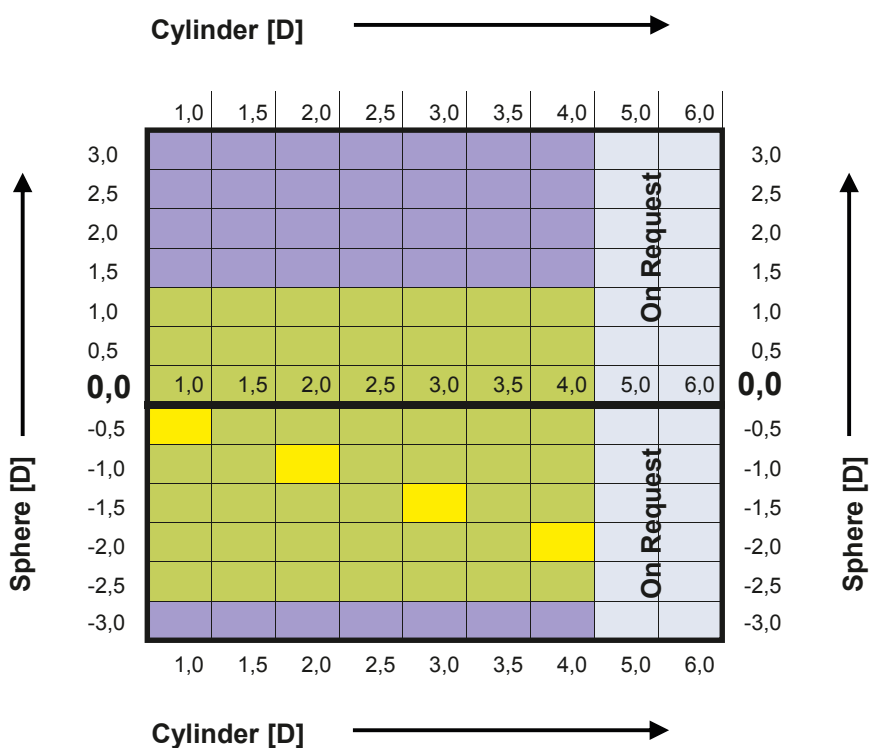
Westerwaldstr. 11-13
53757 Sankt Augustin

Phone: +49 (0) 2241 / 25 787-0
Fax: +49 (0) 2241 / 25 787-88

mail@dr-schmidt-iol.de
www.dr-schmidt-iol.de

Diopter Category – MS 714 TPB Diff

	Standard	IOLs with spherical equivalent of 0.0 D
	Special	
	Customized	



The diopter category does not indicate any conclusion related to availability. The delivery time of single powers might vary and is subject to change.